

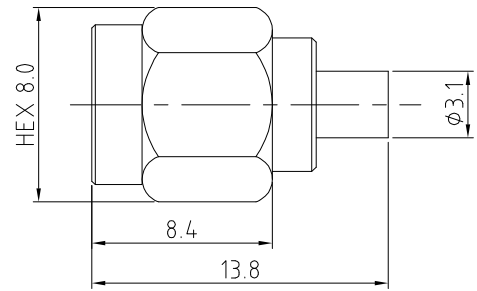
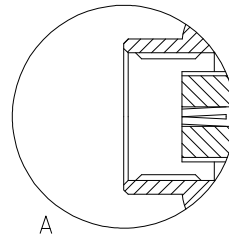
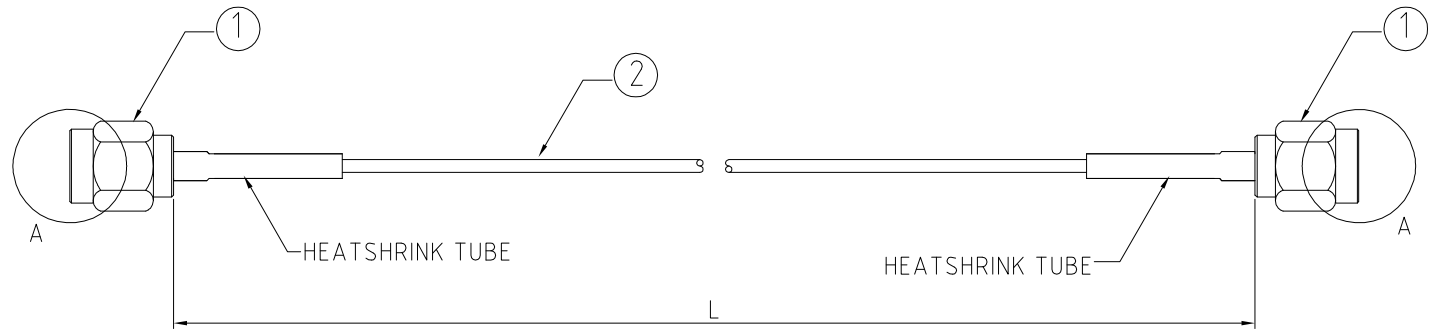
CABLE 170 RF: RF CABLE ASSEMBLY, RP SMA ST PLUG + RP SMA PLUG + 1.13MM CABLE

SPECIFICATIONS

1. RP SMA STRAIGHT PLUG P/N: C19AA31113004.

2. ϕ 1.13MM COAXIAL CABLE, COLOR: BLACK.

NOTES:
1, ELECTRICAL WORKING FREQUENCY RANGE: DC-3GHz



HOW TO ORDER

CABLE 170 RF - X X X X - 1

"L" LENGTH IN MM CABLE SIZE OPTIONS:
 eg: 100MM = 0100 1 = ϕ 1.13MM CABLE, COLOR: BLACK
 (MIN. = 0050, MAX. = 2000)
 STANDARD = 0100, 0150, 0200)
 Tolerance: <50mm : \pm 2mm.
 51-200mm: \pm 5mm.
 201-500mm: \pm 7mm.
 >501mm: \pm 10mm.

REV. DATE & DRN
10 23/04/14 - NYW RELEASE

Scale: NTS	THIRD ANGLE	Unstated X .XX .XXX ANGLES	Tolerances: \pm 0.2 \pm 0.1 \pm 0.05 \pm 5	Material SEE NOTE
Drawn: NYW				
App'd: XXX	Title: CABLE ASSEMBLY	NOT TO SCALE		
Date: 23 APR. '14	Revision: 1.0	Unit: mm		

www.gradconn.com

© THIS DRAWING IS CONFIDENTIAL AND MUST NOT BE COPIED OR DISCLOSED WITHOUT WRITTEN CONSENT

Type: Cable 170 RF
CABLE 170 RF
Drawing Number:
Sheet 1 of 1
Drawing © E and O E